

# MLCB-D/UD

## LED LINEAR CHANNEL BEAM SERIES

### DIRECT / INDIRECT LINEAR LIGHTING

Technical Information and Final Specification Coming Soon.



**CHANNEL BEAM SERIES**

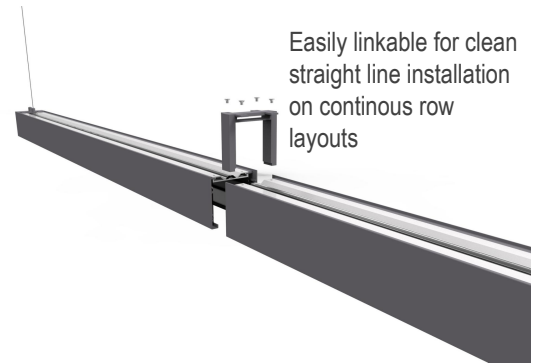
The **MLCB CHANNEL BEAM** Series is made from extra-rigid and sleek aluminum housing with a new industrial open look in 8ft, 4ft, 6ft and 2ft lengths, that may be easily connected to linear runs for open office areas. Straight runs can be combined with preassembled connectors in X, L and T configurations to create intricate patterns and forms. An easily accessible, on-board, The configuration is perfect for diffusion and light pattern for maintained visual comfort with this new open industrial look.



**MLCB-D**



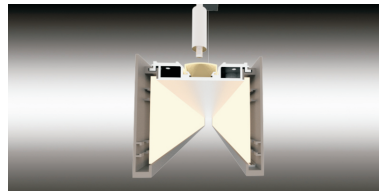
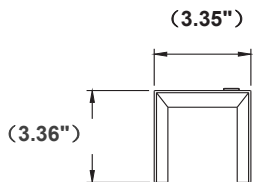
**MLCB-UD**



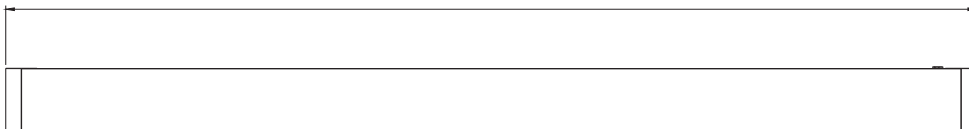
Easily linkable for clean straight line installation on continuous row layouts

a versatile linear lighting system with a completely new aesthetic look, offering a uniform light distribution that meets a variety of design needs, whether the project calls for pendant mounting, surface mounting, wall mounting or a combination thereof.

## DIMENSIONAL DRAWING



MLCB-2 (23.41") MLCB-4 (48.82") MLCB-6 (72.23") MLCB-8 (97.64")



### Configuration Forms

